



Radial Isotropic Broadband Antenna OmniLOG® 90200

For measurements in the 700MHz - 2.5GHz frequency range, specially GSM, UMTS and 2.4GHz WLAN

Highlights:

- Highly isotropic from 700MHz to 2.5GHz
- Optimal for usage with spectrum analyzer for radial isotropic measurements
- 90° knuckle base with SMA connector
- Small weight and very small dimensions
- **10 years warranty**

Specifications

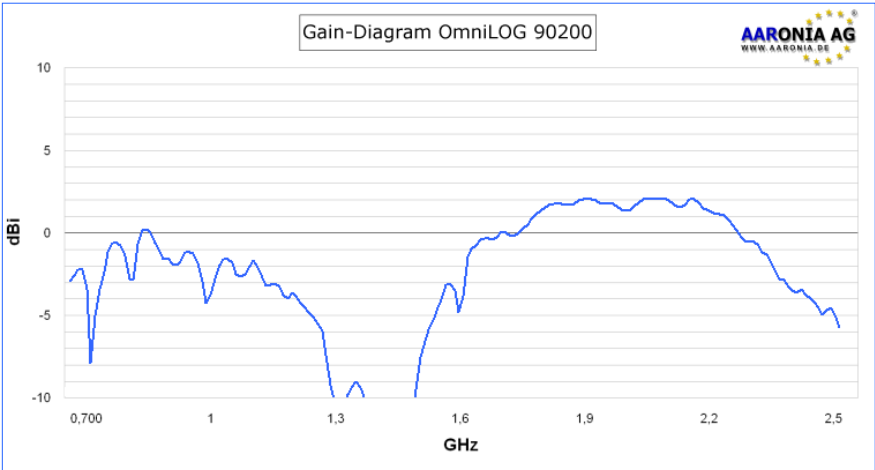
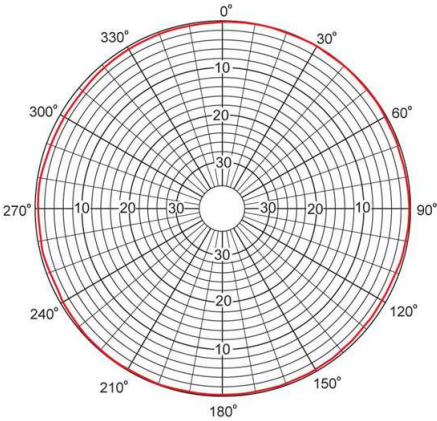
OmniLOG® 90200

- ◆ Design: Omni-Directional
- ◆ Nominal impedance: 50 Ohms
- ◆ Frequency range: 700MHz - 2,5GHz
- ◆ VSWR (typ): < 3:1
- ◆ RF-connection: SMA (male)
- ◆ Temperature range: - 20°C to +70°C Shock: 40G at 10msek
- ◆ Thermal Shock: - 20°C to +70°C:10 cycles
- ◆ Dimensions (L/W): 210 x 20mm
- ◆ Weight: 70gr
- ◆ **Warranty: 10 years**



OmniLOG 90200 Antenna with Spectran HF-60100 V4. The antenna is directly supported by the V4 series. It can be used for the GSM and UMTS frequency range with the Rev.3 units too (measurement uncertainty only 2dB).

Horizontal Pattern OmniLOG 90200



Front view OmniLOG 90200 Broadbandantenna



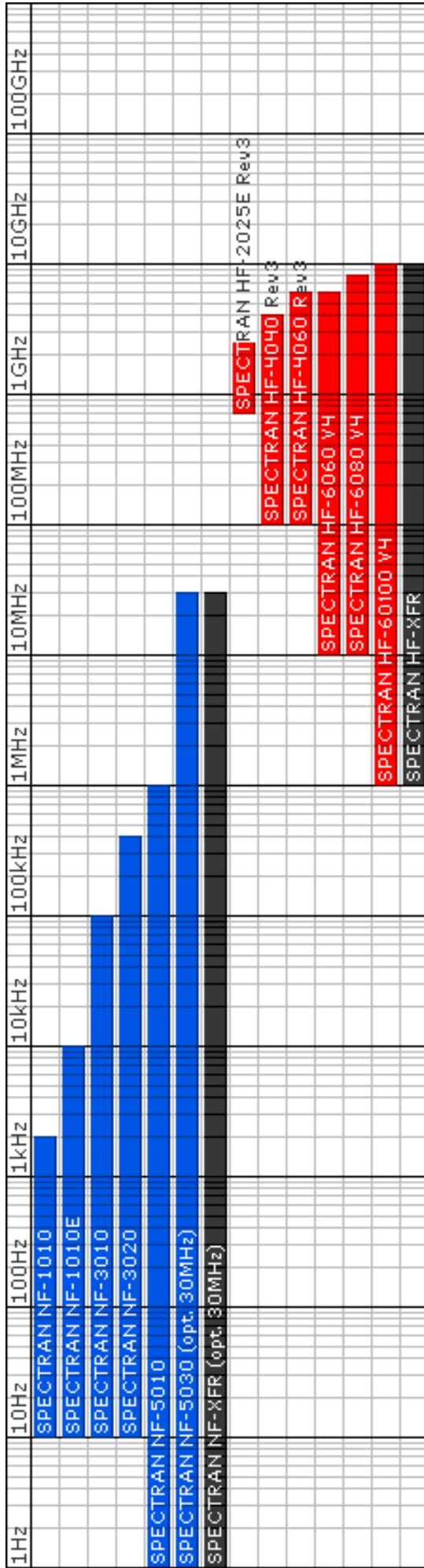
Rear view



OmniLOG with Spectran HF-XFR (OmniLOG 90200 Antenna already included at the Spectran HF-XFR)

Frequency overview Analyzer & Antennas

Frequency Overview SPECTRAN Spectrum Analyzer



Frequency Overview HyperLOG and BicoLOG Antennas and Probes

